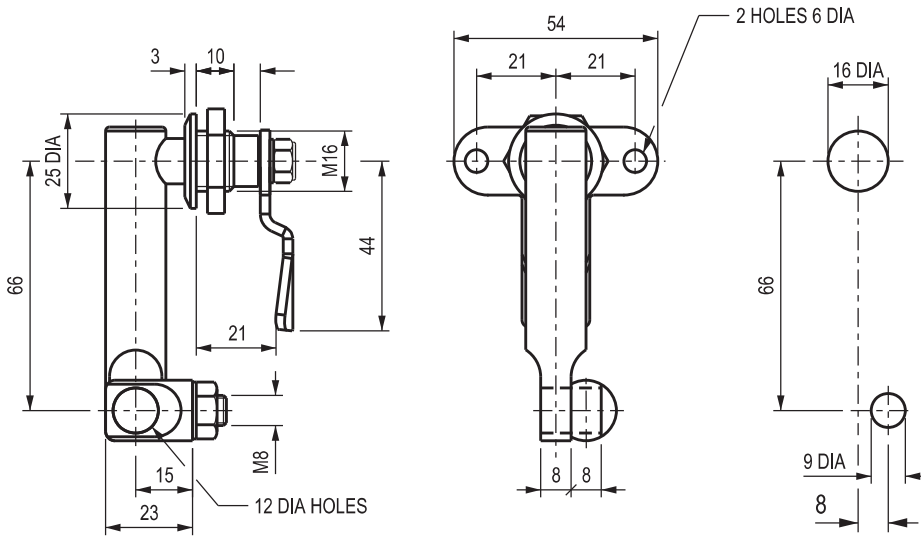


**PINNACLE STAINLESS STEEL: PADLOCKABLE LEVER LOCK**

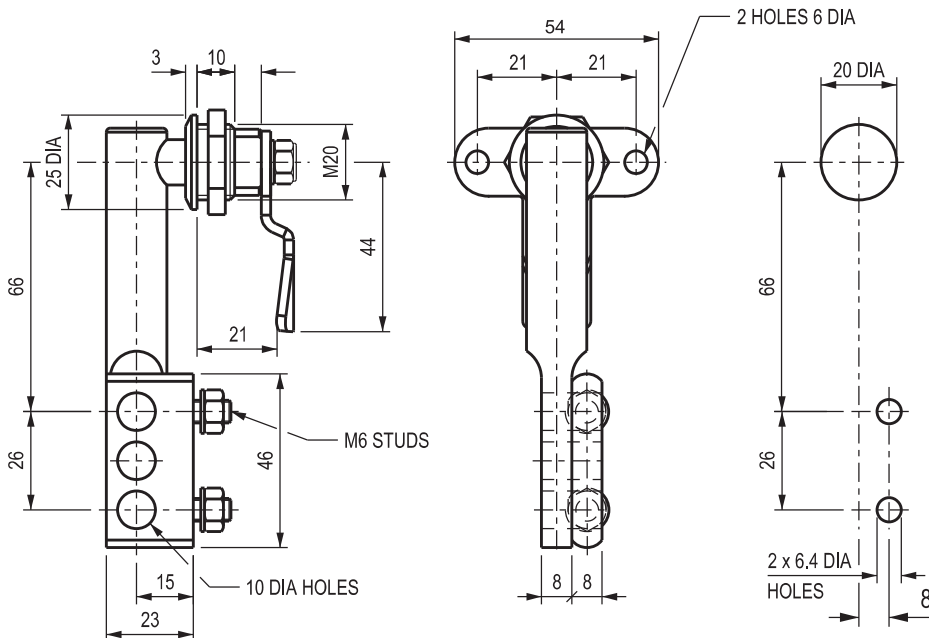
**003-D12**



ITEM CODE	DESCRIPTION	MATERIAL
003-D12	Padlockable Lever Lock (M16)	304 SST Bright Finish

**PINNACLE STAINLESS STEEL: 3-HOLE PADLOCKABLE LEVER LOCK**

**003-D13**



ITEM CODE	DESCRIPTION	MATERIAL
003-D13	3-Lock Padlockable Lever Lock (M20)	304 SST Bright Finish

Product design and appearance may change from time to time. E&OE.

✉ 14565 Farrarmere 1518 RSA  
Unit 1, Great North Industrial Park  
20 Van Wyk Road, Brentwood Park  
Benoni, South Africa



☎ +27-11-973-7260  
FAX +27-11-395-3223  
✉ info@enclosuresolutions.co.za  
🌐 www.enclosuresolutions.co.za

**Panel Locks**