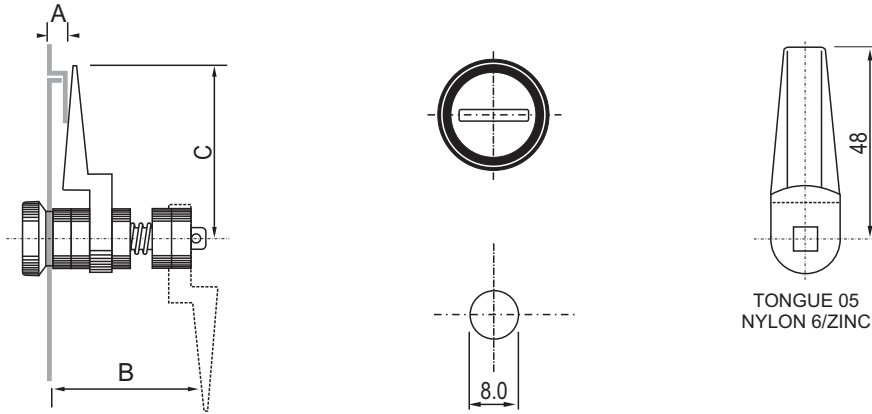


8mm COIN CATCH

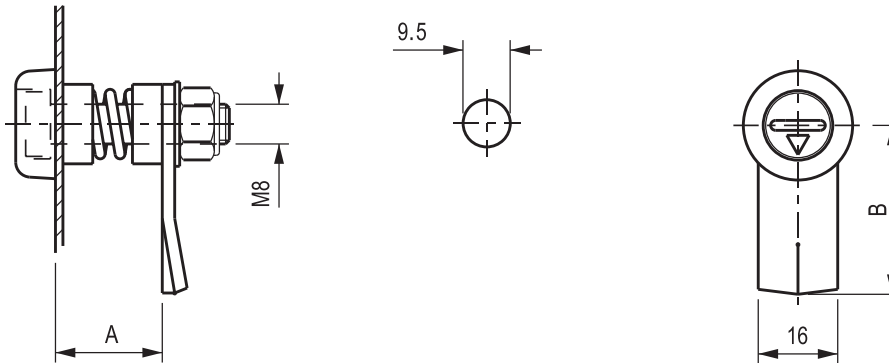
8.5.271.05 • 8.5.371.05



ITEM CODE	DESCRIPTION	MATERIAL	A	B	C
8.5.271.05	8mm Coin Catch	Polyamide	1.5	27	48
8.5.371.05	8mm Coin Catch	Polyamide	1.5	37	48

8mm COIN CATCH

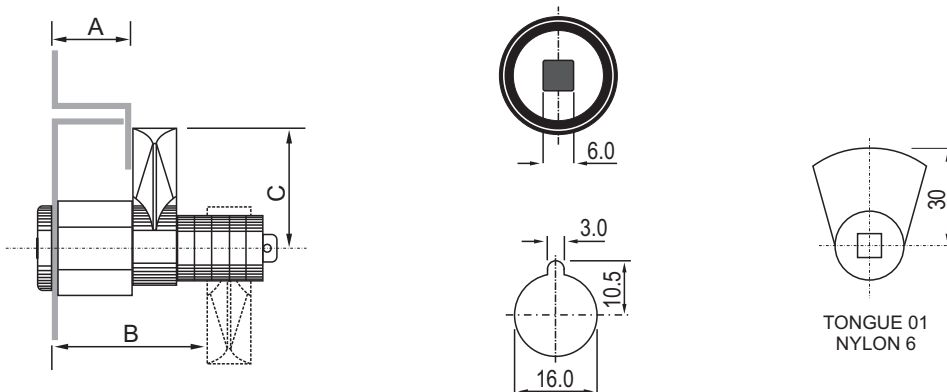
28402



ITEM CODE	DESCRIPTION	MATERIAL	A	B
28402	Panel Catch Coin Drive	Zinc Die Cast	min 6 max 25	34

16 SERIES LOCK: 6mm SQUARE DRIVE

16.1.401.01 • 16.1.531.01



ITEM CODE	DESCRIPTION	MATERIAL	A	B	C
16.1.401.01	6mm Square Drive	Zinc Die Cast	19	25	30
16.1.531.01	6mm Square Drive	Zinc Die Cast	19	39	30

Product design and appearance may change from time to time. E&OE.

✉ 14565 Farrarmere 1518 RSA
Unit 1, Great North Industrial Park
20 Van Wyk Road, Brentwood Park
Benoni, South Africa

ES
Enclosure Solutions[®]
Industrial Enclosures & Accessories

☎ +27-11-973-7260
FAX +27-11-395-3223
✉ info@enclosuresolutions.co.za
www.enclosuresolutions.co.za